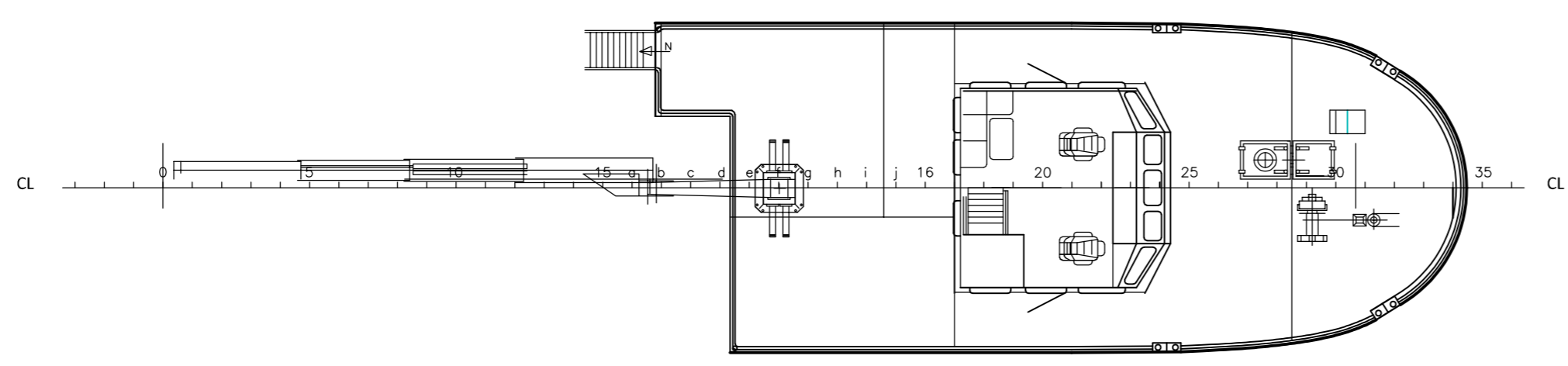
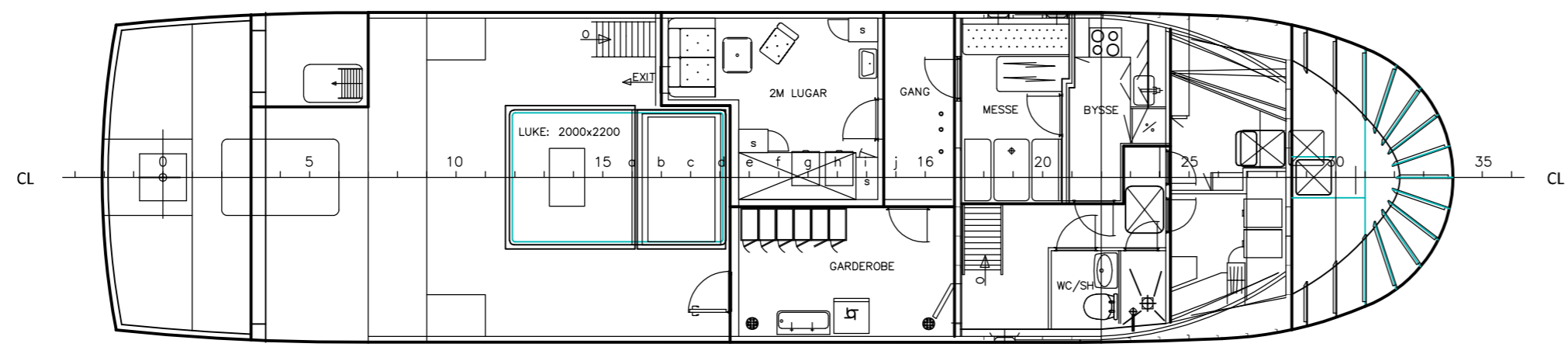


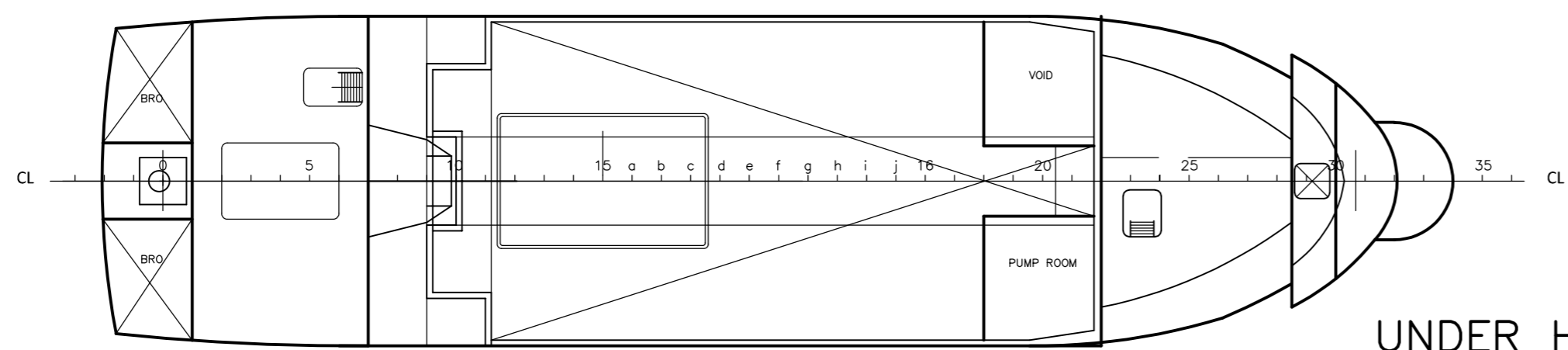
PROFIL



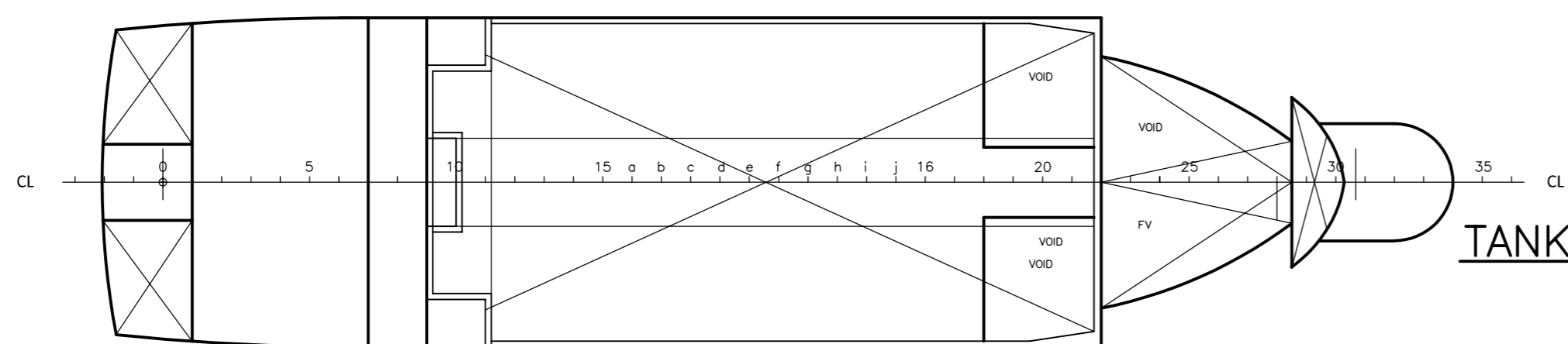
BAKKDEKK



HOVEDDEKK  
3187



UNDER HOVEDDEKK



TANKTOPP

**HOVEDDIMENSJONER**

LENGE OVER ALT (LOA)	: 23,66 m
LENGEDE MELLOM P.P. (LPP)	: 20,34 m
REGELLENGDE "L"	: 21,35 m
BREDDE MLD	: 5,62 m
DYBDE I RISS	: 3,19 m
KONSTRUKSJONSTRIM	: 0,92 m
SPANTAVSTAND	: 0,50 m

FARTSOMRÅDE	: BANKFISKE 1
	: LITEN KYSTFART
BEMANNING	: 4 PERSONER

C	-	-	-	-	-	-
A	OMBYGGING 2021	05.05.2021	VJ	B	-	-
REV	ALTERATIONS	DATE	SIGN.	REV	ALTERATIONS	DATE
YARD NO/NAME	BLOCK		CLIENT (NAME/LOGO)			
GENERALARRANGEMENT ELISABETH STAR - LNAM				KENFISH AS AVERØY		
DEP.	MM PRO.	MM DWG. NO	SCALE	YARD DWG. NO		
DATE	AC411	0411-101-001	1:100			
DES.	VJ	CHK.	FILE	REV	SFI	
				A	101	
Dalgatzen 137 N-6518 Kristiansund, Norway Tel.: +47 71 58 30 00 E-mail: post@moremaritime.com				SHEET	FORMAT	A1P
REV / APPROVED BY				TO REPLACE		
REPLACED BY				INFO		

ALL RIGHTS RESERVED!

This drawing is the property of More Maritime AS.  
It may not be copied or forwarded to any third party without our written consent.  
The receipt of this drawing implies that the above conditions are accepted.