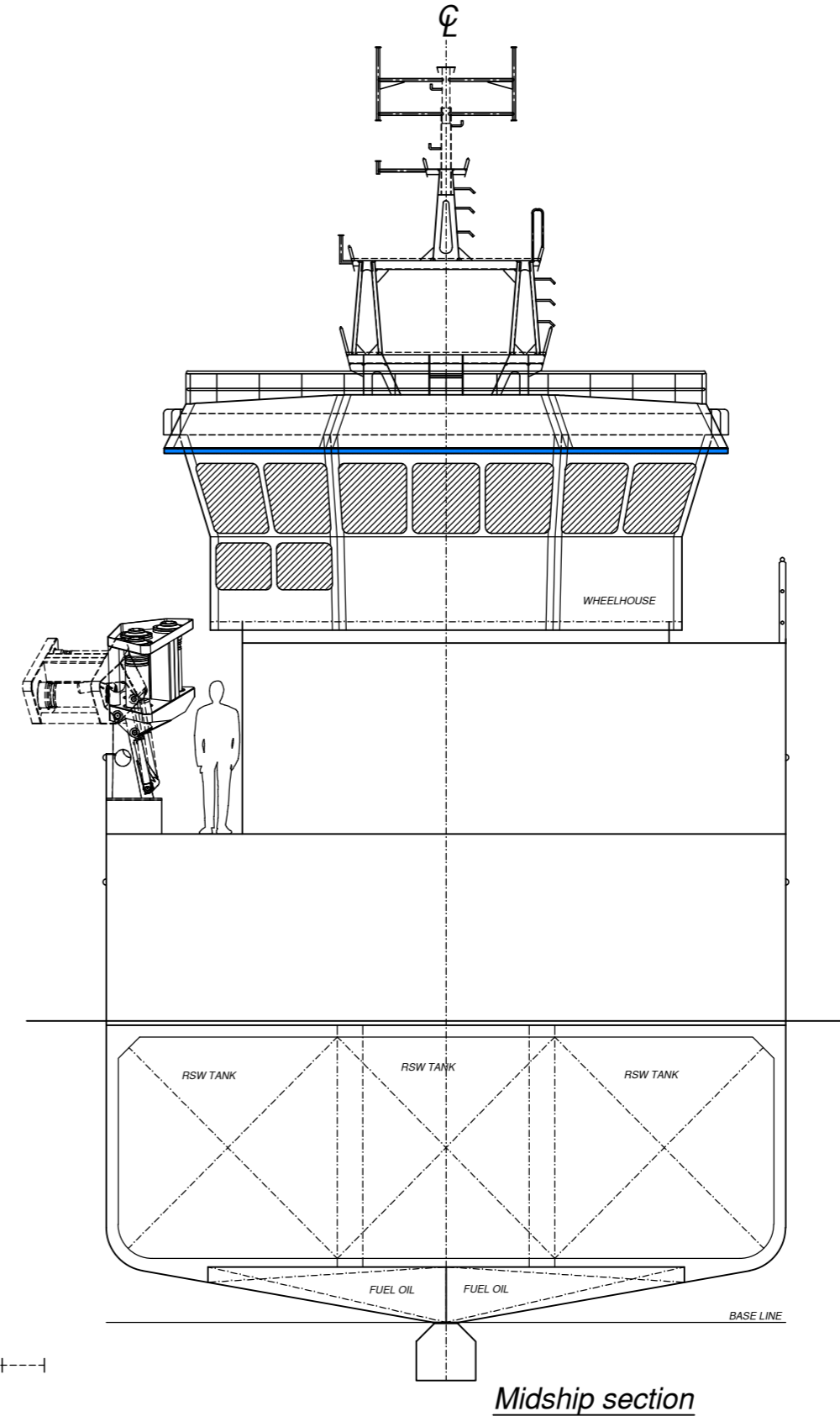
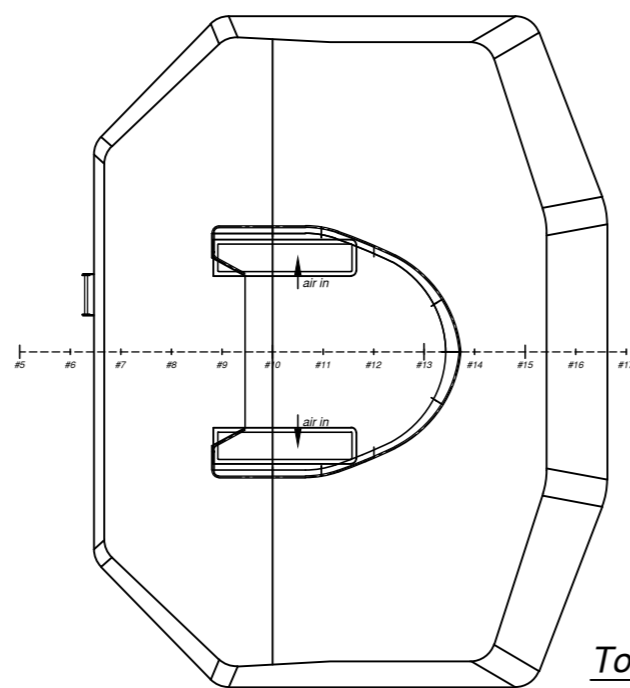


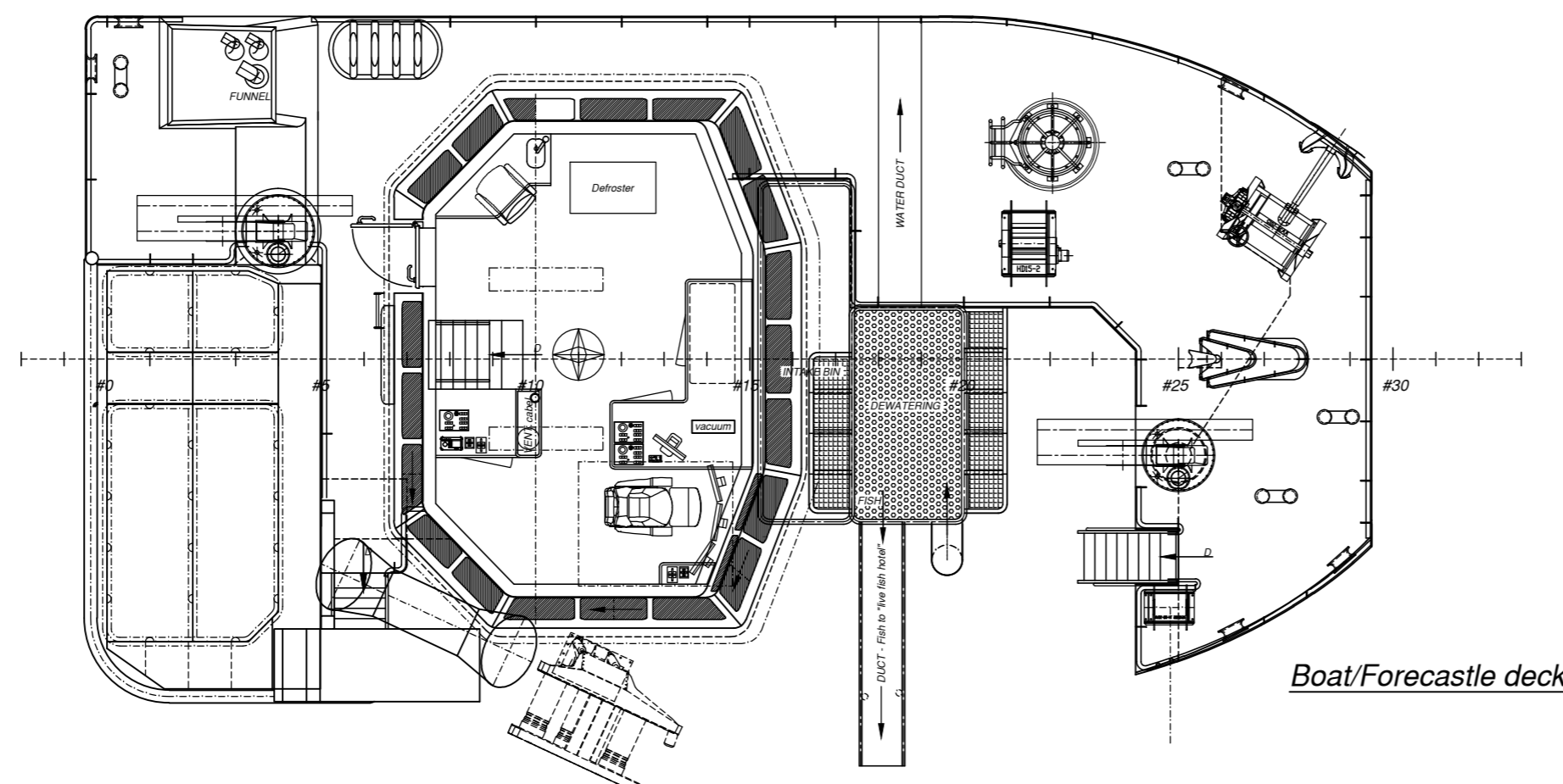
Profile



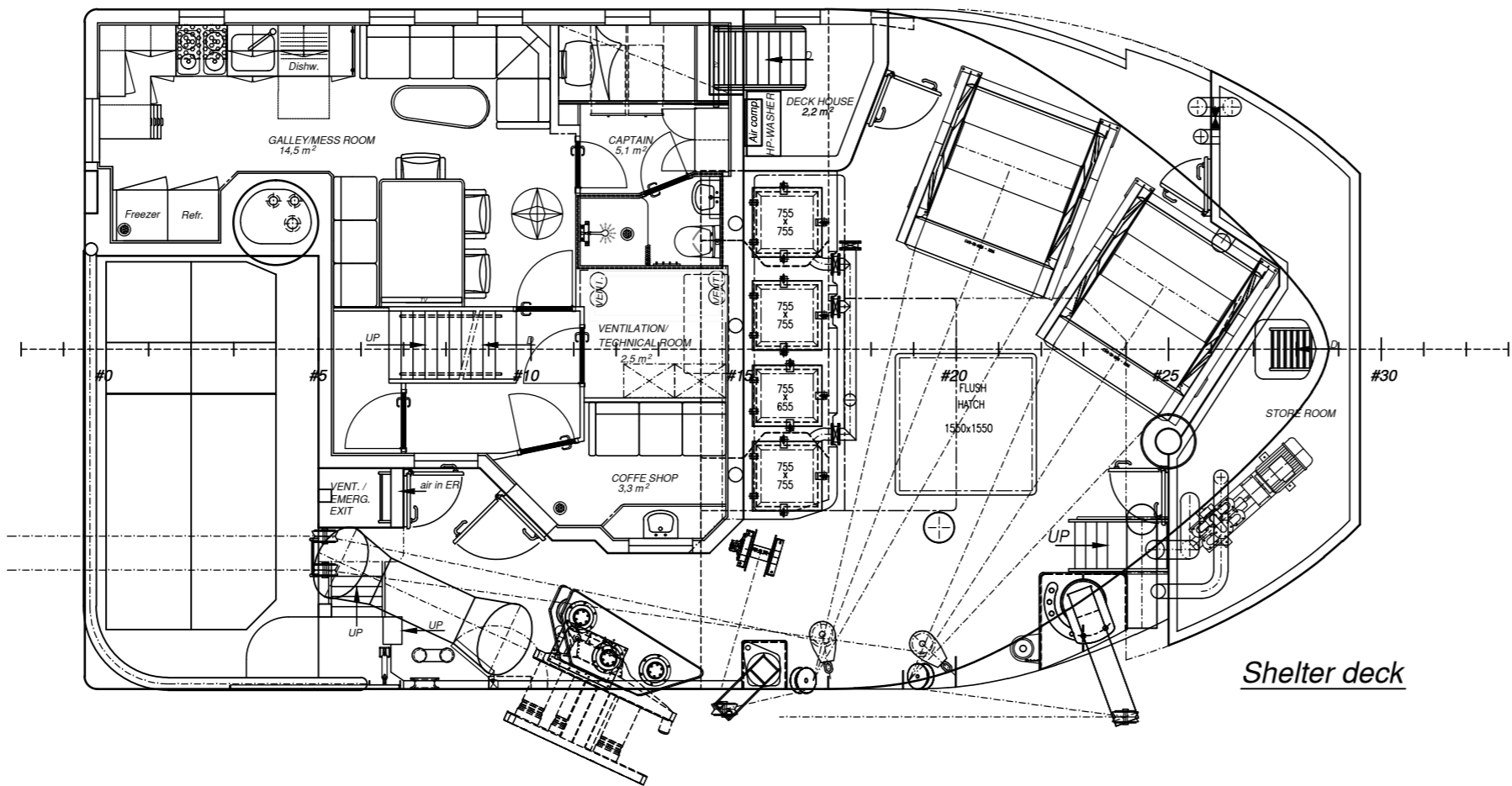
Midship section



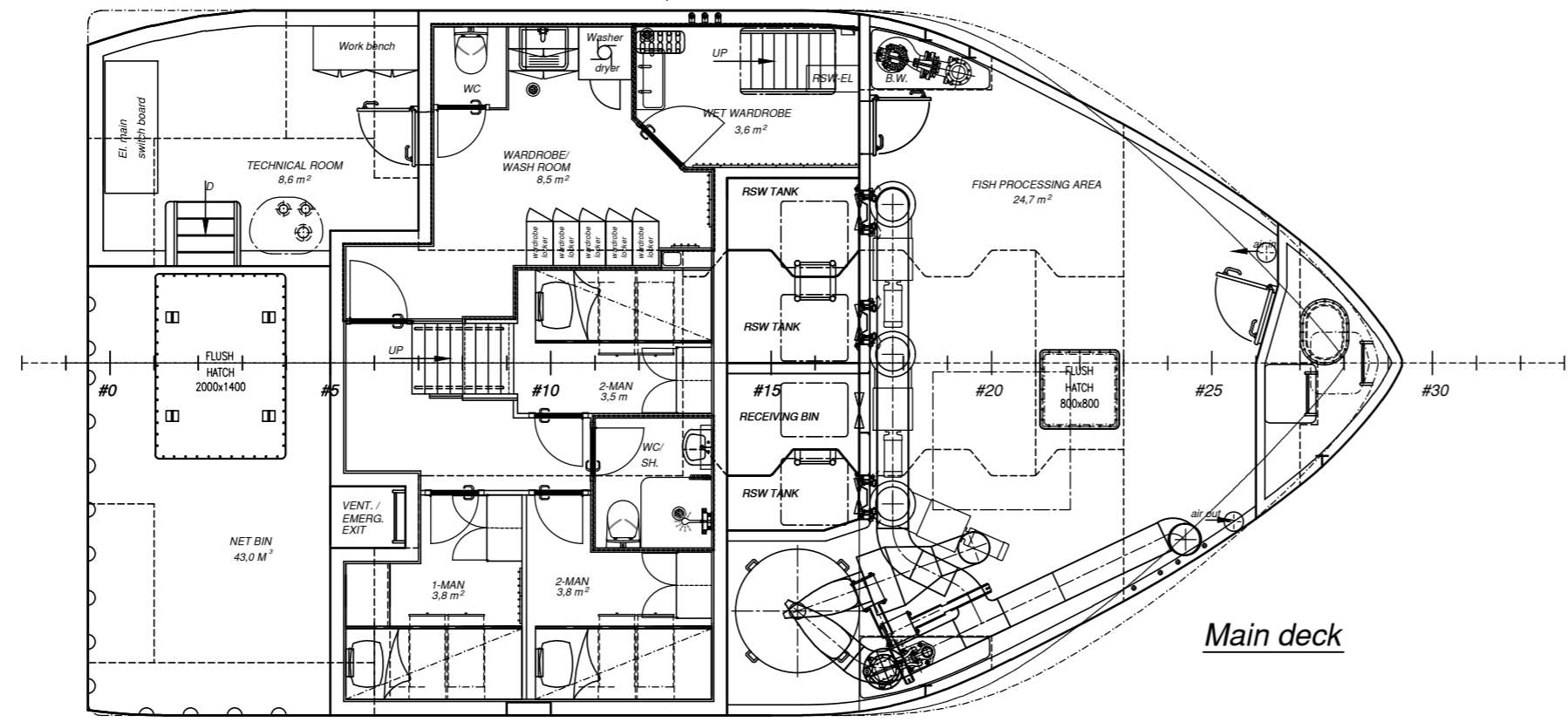
Top of wheelhouse



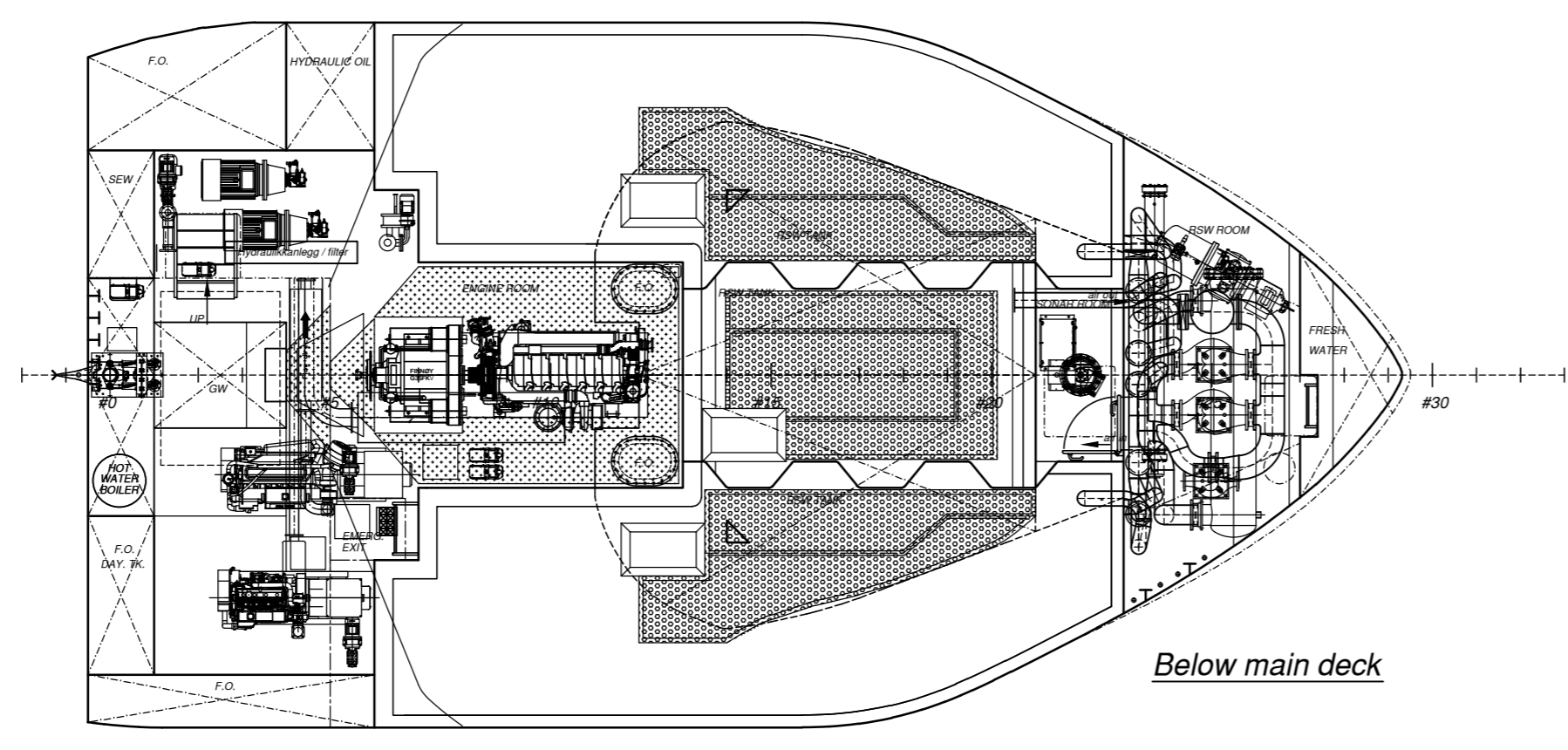
Boat/Forecastle deck



Shelter deck



Main deck



Below main deck

This drawing is the property of Seacon as, and it must not be delivered to any unauthorised third party.

PRINCIPAL PARTICULARS:	
LENGTH OVER ALL:	14.99 m
LENGTH BETWEEN PERP.:	14.00 m
LENGTH L:	13.73 m
BREADTH:	8.00 m
DEPTH TO MAIN DECK:	3.50 m
DEPTH TO SHELTER DECK:	5.75 m
FRAME SPACING:	0.50 m
RAKE OF KEEL PR. METER:	0.04 m
RSW TANK CAPACITY:	~120.00 m ³
BANKFISKE 1	

REV.	DESCRIPTION	DATE REV.	SIGN.
E	Updated according to com. owner/yard adjusted equipments.	18.04.2015	FFK/rsn
F	Updated according to com. owner/yard adjusted equipments.	11.05.2016	FFK/rsn

14,99 METER PURSE / DANISH SEINER		Yard No: 39
GENERAL ARRANGEMENT M/S "T. A SENIOR"		Stadyard AS
Scale	1:50	Date
Substitution for:		Substituted by:
Seacon		123-101-01
Seacon: Østøyløvej 76 52 64 40 Rm: Ø 4 401 E-post: seacon@seacon.no		F